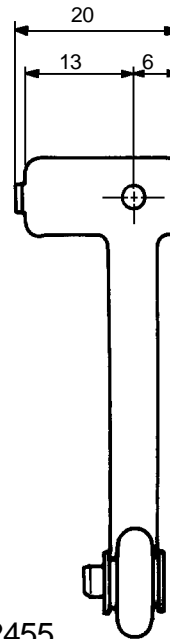
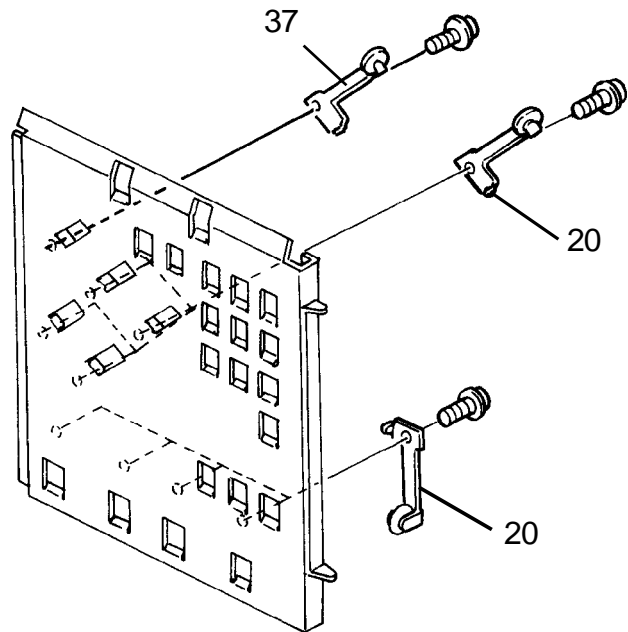


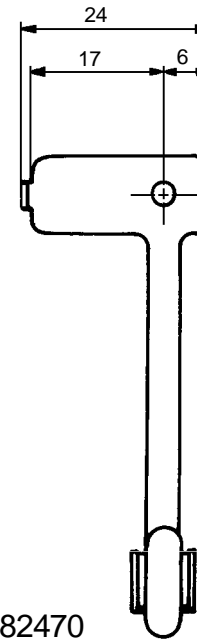
Model	Sorter Stapler for F40	Volt/Hz	Date of Modification	Serial Number
Modified Article	Parts Catalog			
Reason for Modification	Parts catalog correction			

Please correct your parts catalog as follows:

	P/N	Description	Q'ty	Index No.	Page
Incorrect	A4982455	Diagonal Driven Roller	9	20	9
Correct	A4982455	Diagonal Driven Roller	8	20	9
	A4982470	Diagonal Driven Roller - Front	1	* 37	9



A4982455



A4982470

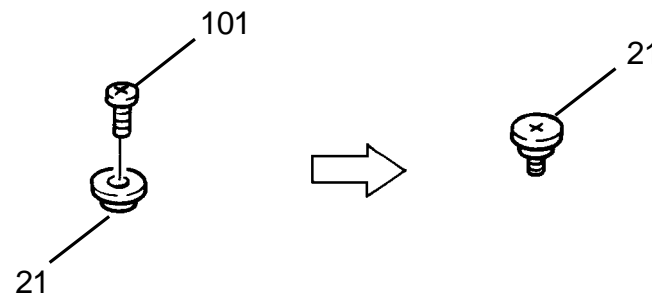
T. Ito, Manager
Copier Technical Support

MODEL NAME	V/Hz	DESTINATION	CODE	SERIAL NUMBER
SAVIN SORTER STAPLER 2	115/60	USA, CANADA	A498-15	/
NRG SR4050	115/60	S. AMERICA	A498-16	
RICOH ST21	115/60	USA, CANADA	A498-17	
NRG SR4050	220, 240/50	EUROPE etc.	A498-25	
INFOTEC SS202	220, 240/50	EUROPE	A498-26	
RICOH ST21	220, 240/50	EUROPE etc	A498-27	

Model	Sorter Stapler for F40	Volt/Hz	Date of Modification	Serial Number
Modified Article	Vertical Transport Roller/Spacer - 4.1 x 6 x 3.2			
Reason for Modification	Parts standardization			

To standardize parts with the other model, the vertical transport roller and the spacer - 4.1 x 6 x 3.2 have been changed. The interchangeability for each is O/O.

Old P/N	New P/N	Description	Q'ty	Index No.	Page
A4982435	A3662435	Vertical Transport Roller	3 → 3	12	7
			1 → 1	11	9
A4983113		Spacer - 4.1 x 6 x 3.2	6 → 0	21	11
03140060W		Philips Pan Head Screw - M4 x 6	6 → 0	101	11
	67543278	Stepped Screw	0 → 6	21	11
50540536	AG070004	Magnet Catch Ass'y	1 → 1	26	11



T. Ito, Manager
Copier Technical Support

MODEL NAME	V/Hz	DESTINATION	CODE	SERIAL NUMBER
SAVIN SORTER STAPLER 2	115/60	USA, CANADA	A498-15	/
NRG SR4050	115/60	S. AMERICA	A498-16	
RICOH ST21	115/60	USA, CANADA	A498-17	
NRG SR4050	220, 240/50	EUROPE etc.	A498-25	
INFOTEC SS202	220, 240/50	EUROPE	A498-26	
RICOH ST21	220, 240/50	EUROPE etc	A498-27	

Model	Sorter Stapler for F40	Volt/Hz	Date of Modification	Serial Number
Modified Article	Stapler Unit			
Reason for Modification	Parts standardization			

To standardize parts with the other model, the stapler unit has been changed. The interchangeability for each is O/O.

Old P/N	New P/N	Description	Q'ty	Index No.	Page
AJ011002	AJ011003	Stapler Unit	1 → 1	34	21

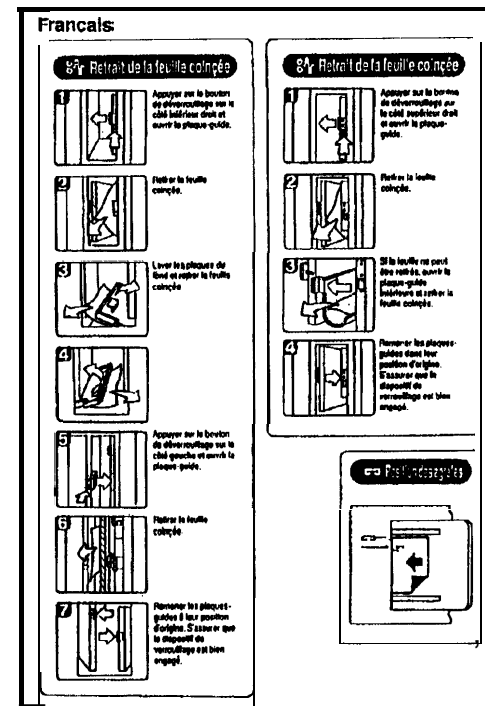
T. Ito, Manager
Copier Technical Support

MODEL NAME	V/Hz	DESTINATION	CODE	SERIAL NUMBER
SAVIN SORTER STAPLER 2	115/60	USA, CANADA	A498-15	From 1st production
NRG SR4050	115/60	S. AMERICA	A498-16	2431100001
RICOH ST21	115/60	USA, CANADA	A498-17	A2891090106
NRG SR4050	220, 240/50	EUROPE etc.	A498-25	2421100001
INFOTEC SS202	220, 240/50	EUROPE	A498-26	
RICOH ST21	220, 240/50	EUROPE etc	A498-27	A2891100181

Model	Sorter Stapler for F40 (NRG only)	Volt/Hz	Date of Modification	Serial Number
Modified Article	Decal Sheet			
Reason for Modification	As per field request			

As per field request, the decal sheets have been registered:

P/N	Description	Q'ty	Index No.	Page
A4981860	Decal Sheet - German	1	9	39
A4981861	Decal Sheet - French	1	9	39
A4981862	Decal Sheet - Italian	1	9	39
A4981863	Decal Sheet - Spanish	1	9	39



MODEL NAME	V/Hz	DESTINATION	CODE	SERIAL NUMBER
SAVIN SORTER STAPLER 2	115/60	USA, CANADA	A498-15	
NRG SR4050	115/60	S. AMERICA	A498-16	
RICOH ST21	115/60	USA, CANADA	A498-17	
NRG SR4050	220, 240/50	EUROPE etc.	A498-25	2421100001
INFOTEC 66202	220, 240/60	EUROPE	A498-26	
RICOH ST21	220, 240/50	EUROPE etc	A498-27	

Model	Sorter Stapler for F40	Volt/Hz	Date of Modification	Serial Number
Modified Article	Stapler Unit			
Reason for Modification	Parts standardization			

To standardize parts with the other model, the stapler unit has been changed. The interchangeability for each is O/O.

Old P/N	New P/N	Description	Q'ty	Index No.	Page
AJ011003	AJ011004	Stapler Unit	1 → 1	34	21

T. Ito, Manager
Copier Technical Support

MODEL NAME	V/Hz	DESTINATION	CODE	SERIAL NUMBER
SAVIN SORTER STAPLER 2	115/60	USA, CANADA	A498-15	
NRG SR4050	115/60	S. AMERICA	A498-16	
RICOH ST21	115/60	USA, CANADA	A498-17	
NRG SR4050	220, 240/50	EUROPE etc.	A498-25	
INFOTEC SS202	220, 240/50	EUROPE	A498-26	
RICOH ST21	220, 240/50	EUROPE etc	A498-27	

Model		Sorter Stapler for F40						Volt/Hz	Date of Modification	Serial Number	
Modified Article		Stapler Unit Drive									
Reason for Modification		To improve the stapler unit movement									
Draw No.	Old Parts No.	New Parts No.	Description	A.B.C.	Q'ty Used Old → New	Inter-change-ability	Part needed for replacement by new part		Parts Catalog		
				Rank			Part No.	Description	Index No.	Page	
		A4984311	Motor Bracket Spacer		0 → 1				* 43	19	
									* : New Index No.		

Rank: A : Replace with new parts immediately. B : Replace with new parts at time of repair. C : Replace with new parts at time of overhaul.

Interchangeability:

(1) When old and new parts are not mutually interchangeable, use additional parts or an assembly part as indicated in "Parts needed for replacement by new part" to install the new part.

(2) The mark to the left of the slash indicates whether the old part can be used in the new machine, and the mark to the right indicates whether the new part can be used in the old machine. x = Not interchangeable o = Interchangeable

DETAILS OF MODIFIACATION

[Symptom]

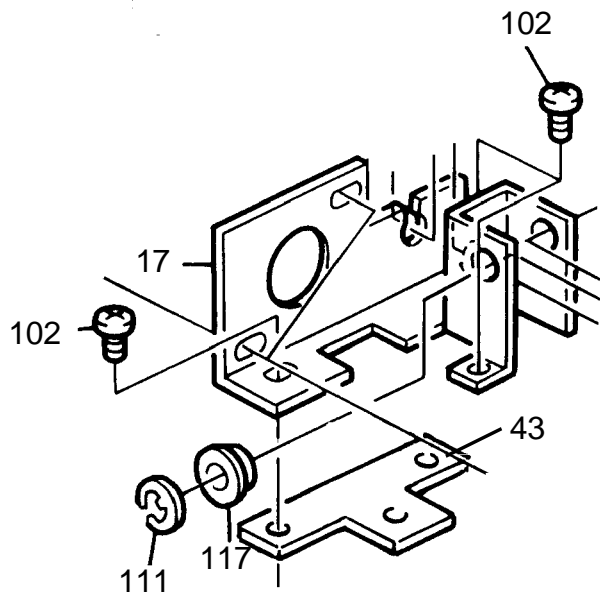
Sometime the stapler unit stops as it is moving.

[Cause]

The tension of the timing belt which drives the stapler unit is poor, the timing belt sometime runs on the cog of the pulley.

[Countermeasure]

To tighten the tension of the timing belt, a spacer has been added under the motor bracket.



T. Ito, Manager
Copier Technical Support

MODEL NAME	V/Hz	DESTINATION	CODE	SERIAL NUMBER
SAVIN SORTER STAPLER 2	115/60	USA, CANADA	A498-15	3882030001
NRG SR4050	115/60	S. AMERICA	A498-16	243204XXXX
RICOH ST21	115/60	USA, CANADA	A498-17	A2892030001
NRG SR4050	220, 240/50	EUROPE etc.	A498-25	2422030001
INFOTEC SS202	220, 240/50	EUROPE	A498-26	
RICOH ST21	220, 240/50	EUROPE etc	A498-27	A2892030245

Model	Sorter Stapler for F40	Volt/Hz	Date of Modification	Serial Number
Modified Article	Motor Bracket Spacer			
Reason for Modification	To improve the stapler unit movement			

To improve the stapler unit movement, the tightener has been added instead of the motor bracket spacer (index 43) which was added by MB No. 2.

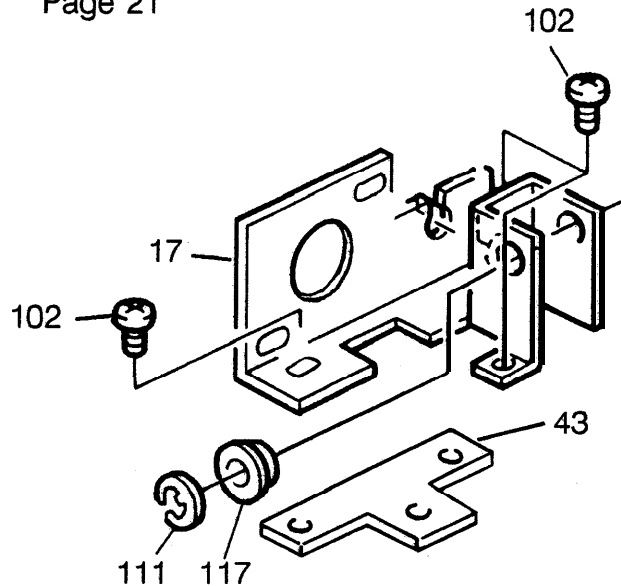
Old P/N	New P/N	Description	Q'ty	Interchangeability	Index No.	Page
A4984311		Motor Bracket Spacer	1 → 0	X/	43	19 (21)
	A4984321	Tightener	0 → 1	/O	* 25	17 (19)

() : Page for NRG

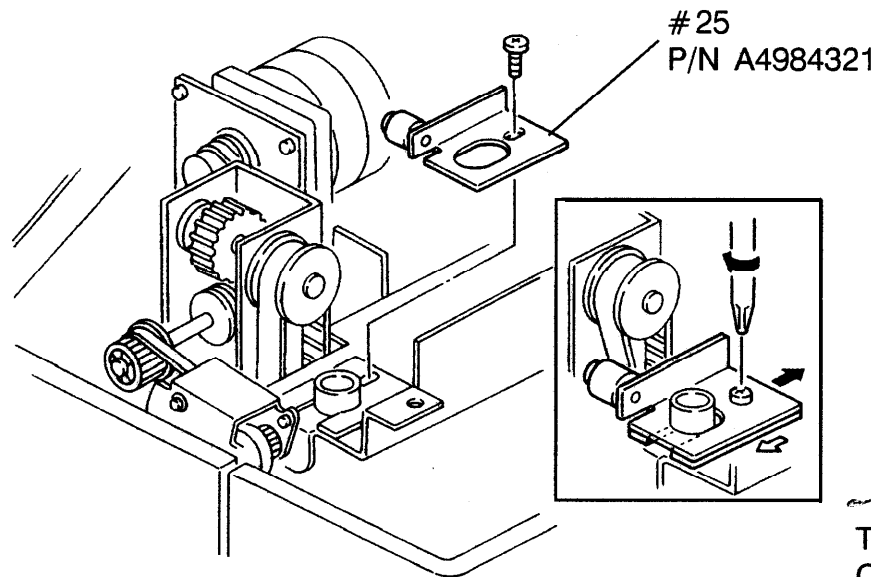
* : New Index No.



Page 21



Page 19



T. Ito, Manager
Copier Technical Support

MODEL NAME	V/Hz	DESTINATION	CODE	SERIAL NUMBER
SAVIN SORTER STAPLER 2	115/60	USA, CANADA	A498-15	3882050001
NRG SR4050	115/60	S. AMERICA	A498-16	2432060001
RICOH ST21	115/60	USA, CANADA	A498-17	A2892050001
NRG SR4050	220, 240/50	EUROPE etc.	A498-25	2422050001
INFOTEC SS202	220, 240/50	EUROPE	A408-26	_____
RICOH ST21	220, 240/50	EUROPE etc	A498-27	A2892050291

Model	Sorter Stapler for F40	Volt/Hz	Date of Modification	Serial Number
Modified Article	Caster			
Reason for Modification	Parts standardization			

To standardize parts with other models, the casters have been changed.

Old P/N	New P/N	Description	Q'ty	Interchangeability	Index No.	Page
08055003	AH012006	Caster	4 → 4	O/O	111	25

T. Ito, Manager
Copier Technical Support

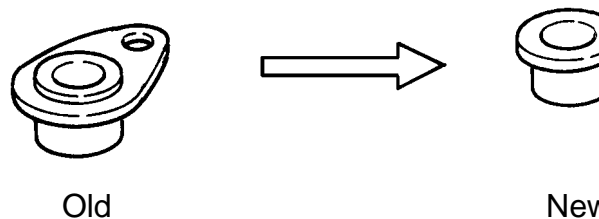
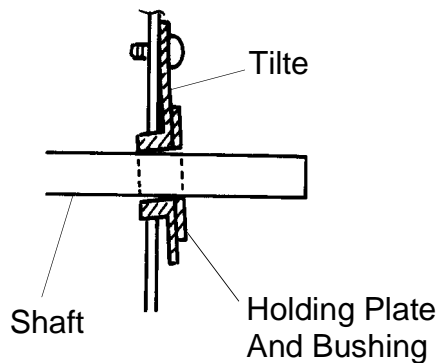
MODEL NAME	V/Hz	DESTINATION	CODE	SERIAL NUMBER
SAVIN SORTER STAPLER 2	115/60	USA, CANADA	A498-15	
NRG SR4050	115/60	S. AMERICA	A498-16	
RICOH ST21	115/60	USA, CANADA	A498-17	
NRG SR4050	220, 240/50	EUROPE etc.	A498-25	
INFOTEC SS202	220, 240/50	EUROPE	A498-26	
RICOH ST21	220, 240/50	EUROPE etc	A498-27	

Model	Sorter Stapler for F40	Volt/Hz	Date of Modification	Serial Number
Modified Article	Holding Plate And Bushing			
Reason for Modification	To prevent the some roller shafts from generating noise.			

The Holding Plate And Bushing is tilted when tightened by a screw. This generates the noise while the shafts are rotating. To prevent this problem, the bushing has been changed to the ball bearing.

Old P/N	New P/N	Description	Q'ty	Interchangeability	Index No.	Page
A4581561		Holding Plate And Bushing - 6X12X4	5 → 5	X/O	2	23
		Ball Bearing			9	25
	08053145				119 * 113	23 25

* : New index no.



T. Ito, Manager
Copier Technical Support

MODEL NAME	V/Hz	DESTINATION	CODE	SERIAL NUMBER
SAVIN SORTER STAPLER 2	115/60	USA, CANADA	A498-15	3882060001
NRG SR4050	115/60	S. AMERICA	A498-16	2432060001
RICOH ST21	115/60	USA, CANADA	A498-17	A2892060001
NRG SR4050	220, 240/50	EUROPE etc.	A498-25	2422060001
INFOTEC SS202	220, 240/50	EUROPE	A498-26	
RICOH ST21	220, 240/50	EUROPE etc	A498-27	A2892060365

Model	Sorter Stapler for F40	Volt/Hz	Date of Modification	Serial Number
Modified Article	Stapler Unit			
Reason for Modification	Parts standardization			

To standardize with other models, the following part has been changed.

Old P/N	New P/N	Description	Q'ty Used	Inter-change-ability	Parts Catalog	
					Index No.	Page
AJ011004	AJ011006	Stapler Unit	1 → 1	O/O	34	21

T. Ito, Manager
Copier Technical Support

MODEL NAME	V/Hz	DESTINATION	CODE	SERIAL NUMBER
SAVIN SORTER STAPLER 2	115/60	USA, CANADA	A498-15	
NRG SR4050	115/60	S. AMERICA	A498-16	
RICOH ST21	115/60	USA, CANADA	A498-17	
NRG SR4050	220, 240/50	EUROPE etc.	A498-25	
INFOTEC SS202	220, 240/50	EUROPE	A498-26	
RICOH ST21	220, 240/50	EUROPE etc	A498-27	

Model	Sorter Stapler for F40	Volt/Hz	Date of Modification	Serial Number
Modified Article	Parts Catalog			
Reason for Modification	Parts catalog correction			

Please correct your parts catalog as follows:

Incorrect P/N	Correct P/N	Description	Q'ty Used	Parts Catalog	
				Index No.	Page
A4981831	-----	Staple Position Decal	1 → 0	5	39
-----	A0535760	Sorter Stapler Panel Sheet - LT	0 → 1	5	39
-----	A0535763	Sorter Stapler Panel Sheet - A4	0 → 1	5	39
A0535760	-----	Sorter Stapler Panel Sheet - LT	1 → 0	6	39
A0535763	-----	Sorter Stapler Panel Sheet - A4	1 → 0	6	39
-----	A4981831	Staple Position Decal	0 → 1	6	39

S. Hamano, Assistant General Manager
 Technical Support Department

MODEL NAME	V/Hz	DESTINATION	CODE	SERIAL NUMBER
SAVIN SORTER STAPLER 2	115/60	USA, CANADA	A498-15	
NRG SR4050	115/60	S. AMERICA	A498-16	
RICOH ST21	115/60	USA, CANADA	A498-17	
NRG SR4050	220, 240/50	EUROPE etc.	A498-25	
INFOTEC SS202	220, 240/50	EUROPE	A498-26	
RICOH ST21	220, 240/50	EUROPE etc	A498-27	

Model	Sorter Stapler for F40	Volt/Hz	Date of Modification	Serial Number
Modified Article	Parts Catalog			
Reason for Modification	Parts catalog correction			

Please correct your parts catalog as follows:

Old P/N	New P/N	Description	Q'ty	Parts Catalog	
				Index No.	Page
A4695465	A3665680	Grounding Wire	1	19	19
				2	25
A4981841	A3661843	Decal - Dip Switch	1	23	3
				4	39

S. Hamano, Assistant General Manager
 Technical Support Department

MODEL NAME	V/Hz	DESTINATION	CODE	SERIAL NUMBER
SAVIN SORTER STAPLER 2	115/60	USA, CANADA	A498-15	
NRG SR4050	115/60	S. AMERICA	A498-16	
RICOH ST21	115/60	USA, CANADA	A498-17	
NRG SR4050	220, 240/50	EUROPE etc.	A498-25	
INFOTEC SS202	220, 240/50	EUROPE	A498-26	
RICOH ST21	220, 240/50	EUROPE etc	A498-27	

Model	Sorter Stapler for F40	Volt/Hz	Date of Modification	Serial Number
Modified Article	Stapler			
Reason for Modification	Parts standardization			

To standardize the part with that of other models, the stapler has been changed as follows:

Old P/N	New P/N	Description	Inter-change-ability	Parts Catalog	
				Index No.	Page
AJ011006	AJ011007	Stapler - EH - 5RR4	O/O	34	21

S. Hamano, Assistant General Manager
 Technical Support Department

MODEL NAME	V/Hz	DESTINATION	CODE	SERIAL NUMBER
SAVIN SORTER STAPLER 2	115/60	USA, CANADA	A498-15	/
NRG SR4050	115/60	S. AMERICA	A498-16	
RICOH ST21	115/60	USA, CANADA	A498-17	
NRG SR4050	220, 240/50	EUROPE etc.	A498-25	
INFOTEC SS202	220, 240/50	EUROPE	A498-26	
RICOH ST21	220, 240/50	EUROPE etc	A498-27	